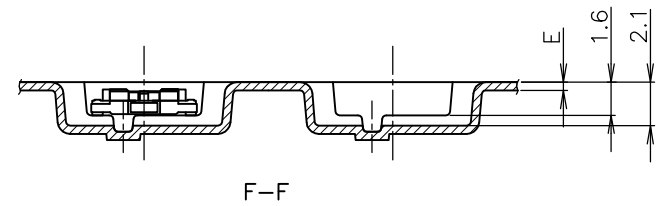
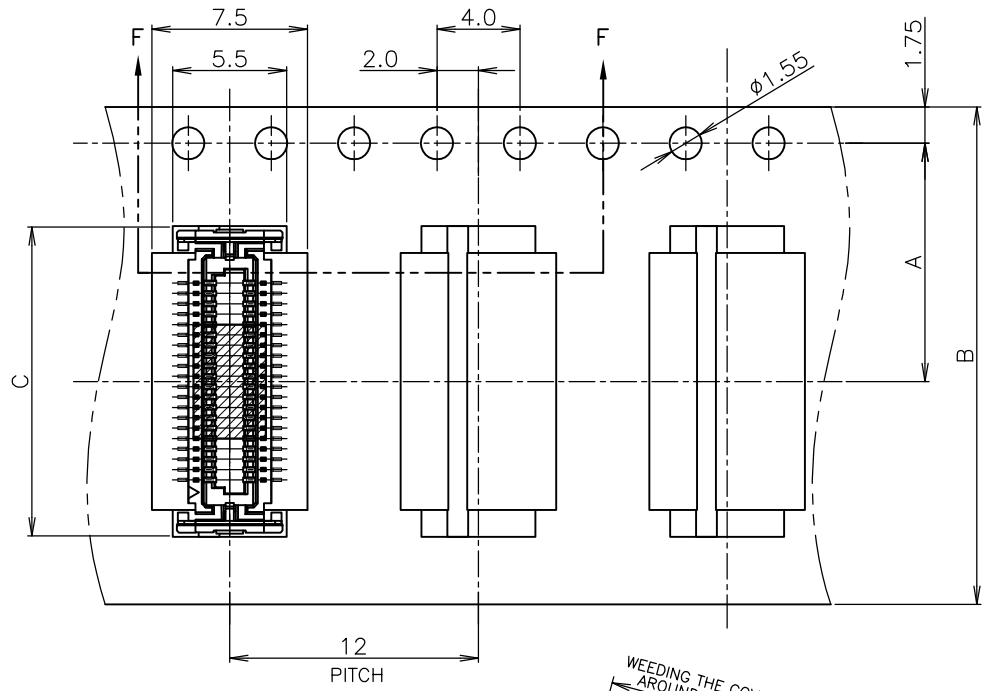
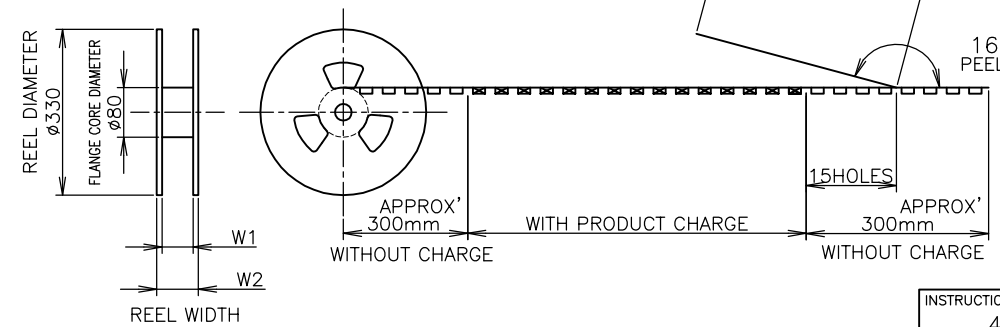


| LOC | DIST | REVISIONS | | | | | |
|-----|------|-----------|---------|--------------|---------|-----|------|
| J | | P | LTR | DESCRIPTION | DATE | DWN | APVD |
| | | C | REVISED | FJB0-0063-05 | 25JAN05 | J.Z | I.E |



TOP OF REEL

WEEDING THE COVER TAPE AROUND THE OUTER PERIPHERY IN A TURN.
 165°~180° PEELING ANGLE.



| 28.4 | 24.4 | 0.4 | 15.0 | 24 | 11.5 | 1500 | 40 | 4-353511-0 | 4-353512-0 |
|------|------|-----|------|----|------|----------|-----|---------------------|------------|
| 28.4 | 24.4 | 0.4 | 12.5 | 24 | 11.5 | 1500 | 30 | 3-353511-0 | 3-353512-0 |
| 28.4 | 24.4 | 0.4 | 10.0 | 24 | 11.5 | 1500 | 20 | 2-353511-0 | 2-353512-0 |
| W2 | W1 | E | C | B | A | QTY/REEL | POS | CONNECTOR P/N (L/P) | TAPING P/N |

INSTRUCTION SHEET
 411-5781

| | | | | |
|--|--|---|--|--|
| THIS DRAWING IS A CONTROLLED DOCUMENT. | | DWN S.KAJINUMA 14NOV96 | Tyco Electronics AMP K.K. Kawasaki, Japan | |
| DIMENSIONS: MM | | CHK K.ASAKAWA 14NOV96 | Tyco Electronics | |
| TOLERANCES UNLESS OTHERWISE SPECIFIED: | | APVD S.KUBOUCHI 14NOV96 | NAME | |
| 0 PLC ± 0.2 | | PRODUCT SPEC | | |
| 1 PLC ± 0.2 | | 108-5546 | | |
| 2 PLC ± 0.2 | | APPLICATION SPEC | | |
| 3 PLC ± 0.2 | | SIZE CAGE CODE DRAWING NO RESTRICTED TO | | |
| 4 PLC ± 0.2 | | A3 00779 C=353512 | | |
| ANGLES ± 3' | | CUSTOMER DRAWING | | |
| MATERIAL FINISH | | SCALE 4:1 SHEET 1 OF 1 REV C | | |